

# MC 2C - Instructions for use



Ⓓ	Instruktionsbog.....	3 - 21
Ⓝ	Instruksjonsbok .....	22 - 40
Ⓢ	Instruktionsbok.....	41 - 60
Ⓕ	Käyttöohje .....	61 - 80
Ⓔ	Instruction manual.....	81 - 99
Ⓓ	Betriebsanleitung .....	100 - 120
Ⓕ	Manuel d'Instructions .....	121 - 142
Ⓝ	Gebruikershandleiding .....	143 - 163
Ⓘ	Manuale di istruzioni .....	164 - 184
Ⓔ	Manual de Instrucciones .....	185 - 205
Ⓟ	Manual de Instruções.....	206 - 226
Ⓔ	γχειρίδιο οδηγιών .....	227 - 248
Ⓗ	Ýpletme kýlavuzu .....	249 - 270
Ⓒ	Návod k obsluze.....	271 - 289
Ⓗ	Üzemeltetési útmutató .....	290 - 309
Ⓟ	Instrukcja obsługi .....	310 - 330

# Contents

<b>1</b>	<b>Introduction</b> .....	<b>4</b>
	1.1 Symbols used to mark instruction.....	4
<b>2</b>	<b>Safety precautions and working techniques</b> .....	<b>4</b>
<b>3</b>	<b>Description</b> .....	<b>10</b>
	3.1 Application.....	10
	3.2 Operation elements and model survey.....	10
<b>4</b>	<b>Before you start using your pressure washer</b> .....	<b>11</b>
	4.1 Mounting of holders for spray lance.....	11
	4.2 Mounting of hose hook (only models without hose reel).....	11
	4.3 Mounting of hose reel handle (only models with hose reel).....	11
	4.4 Mounting of quick coupling.....	12
	4.5 Mounting of high pressure hose.....	12
<b>5</b>	<b>Operating your pressure washer</b> .....	<b>12</b>
	5.1 Connection of high pressure hose.....	12
	5.2 Mounting of spray lance.....	13
	5.3 Water connection.....	13
	5.4 Telescopic handle.....	13
	5.5 Start and stop of the machine (when connected to a water supply).....	14
	5.6 Start the machine (when connected to open containers (suction mode)).....	14
	5.7 Pressure regulation.....	14
	5.8 Operation with detergents.....	15
	5.9 Regulation of pressure / water volume.....	16
<b>6</b>	<b>Fields of application and working methods</b> .....	<b>16</b>
	6.1 General.....	16
<b>7</b>	<b>After using your pressure washer</b> .....	<b>17</b>
	7.1 Storing the washer.....	17
	7.2 Winding up of electric cable and high pressure hose.....	17
	7.3 Storage of accessories.....	17
<b>8</b>	<b>Maintenance</b> .....	<b>18</b>
	8.1 Cleaning of water inlet filter.....	18
	8.2 Cleaning of nozzle.....	18
	8.3 Cleaning of machine vents.....	18
	8.4 Greasing of couplings.....	18
<b>9</b>	<b>Trouble-shooting</b> .....	<b>19</b>
<b>10</b>	<b>Further information</b> .....	<b>20</b>
	10.1 Warranty conditions.....	20
<b>11</b>	<b>Main Technical Data</b> .....	<b>20</b>
<b>12</b>	<b>EU Declaration of Conformity</b> .....	<b>21</b>

EN

DA

NO

SV

FI

DE

FR

NL

IT

ES

PT

EL

TR

CS

HU

PL

EN

# 1 Introduction

DA

## 1.1 Symbols used to mark instruction

All pictograms attached to the high pressure washer and its components are shown and explained in this manual.



Safety instructions marked with this symbol must be observed to prevent personal injury or serious damage to property.



Caution where there is a risk of damaging the machine or its individual components.



This symbol indicates tips and instructions to simplify work and to ensure a safe operation of the high pressure washer.

DE

FR

## 2 Safety precautions and working techniques

NL



Before starting up your machine for the first time, this instruction manual must be read through carefully. Save the instructions for later use.

IT



### WARNING!

- Inhalation of aerosols can be hazardous to health. Where applicable use a device in order to avoid or reduce aerosols production, e.g., a shield covering the nozzle. For protection against aerosols use a respiratory mask of class FFP 2 or higher.
- The high water pressure generated by the machine and the power connection are particular sources of danger.
- Machines shall not be used by children or untrained personnel. Children should be supervised to ensure that they do not play with the machine.
- Do not use the machine within range of persons unless they wear protective clothing.
- Before starting up your machine please check it carefully for any defects. If you find any, do not start up your machine, contact your Nilfisk distributor. The insulation of the electric cable should be faultless and without any cracks. If the electric cable is damaged, an authorized Nilfisk distributor should replace it.
- Always unplug the power plug before cleaning or maintenance and when replacing parts or converting

ES

PT

EL

TR

CS

HU

PL

the machine to another function.

- Observe the national safety regulations issued, for example, by the employers liability insurance association, social security institutions, occupational safety and health authorities or other organizations.



### **Accessories and spare parts**

- To ensure the machine safety only use original spare parts from Nilfisk or approved by Nilfisk.
- High pressure hoses, fittings and couplings are important for the safety of the machine. Only use hoses, fittings and couplings recommended by Nilfisk.



### **Physical, sensory or mental conditions**

- This machine is not intended for use by persons (including children) with reduced physical, sensory or mental capabilities or lack of experience and knowledge. If the machine is used by people with reduced physical, sensory or mental capabilities or lack of experience and knowledge they shall have been given supervision or instruction concerning use of the machine in a safe way and understand the hazards involved.



### **Applications**

This machine has been developed for domestic use such as:

- Car, motorbike, boat, caravan, trailer, patio/drive/flagstones, woodwork, brickwork, barbecue, garden furniture, lawn mower.

Any other use is considered as improper use. Nilfisk accepts no liability for any damage resulting from such use. The risk for such use is borne solely by the user. Proper use also includes proper operation, servicing and repairs as specified in this instruction.

### **Clothing and equipment**

Always take action to protect yourself when operating the machine.

EN

DA

NO

SV

FI

DE

FR

NL

IT

ES

PT

EL

TR

CS

HU

PL

EN

- Wear shoes with non-slip soles.
- Wear goggles, ear protection and protective clothes during operation.

DA

NO



### Transporting the high pressure washer

- When transporting the machine in or on a vehicle, it must be secured, e.g. with straps, so that it cannot slip or tip over.
- Nilfisk recommends that the machine is positioned horizontally on the backside, when transported in or on a vehicle.

SV

FI

DE

FR



### Detergents

- This machine has been designed for use with cleaning agents supplied or recommended by Nilfisk. The use of other cleaning agents or chemicals may adversely affect the function of the machine.

NL

IT

ES



### Before starting the work

#### Inspecting the machine

- Do not use the machine if a supply cord or important parts of the machine are damaged, e.g., safety device, high pressure hose, and spray handle and spray attachments.
- The trigger of the spray handle must move easily and automatically return to its starting position when released.
- Always keep high pressure hose and spray attachment in good condition (clean, moving easily) and correctly assembled.

PT

EL

TR

CS

HU

PL

### Electrical connection



#### WARNING!

Minimize the risk for electrical shock:

- Voltage and frequency of the machine (see rating plate) must match the voltage of and frequency of the mains supply.
- Only connect the machine to electrical installation made by a certified electrician and comply with IEC

60364-1.

- It is recommended that the electrical supply to the machine should include a residual current device that will interrupt the supply if the leakage current to earth exceeds 30 mA for 30 ms.
- Due to the high power consumption of the machine an appropriate mains fuse is required.
- Inadequate extension cables can be dangerous. If an extension cable is used, it shall be suitable for outdoor use, and the connection has to be kept dry and off the ground.
- Nilfisk recommends use of an extension cable drum when cable extension is needed which keeps the socket at least 60 mm above the ground.
- If the electric cable is damaged, it must be replaced by an authorized Nilfisk distributor or similar qualified person in order to avoid a hazard.
- Connecting the high pressure washer to a supply system, the max allowed impedance is = 0,4023  $\Omega$  ( $Z_{max}$ ). Consult with the supply authority that the equipment is connected only to a supply of that impedance or less.



### Water connection

- This high pressure washer is only allowed to be connected with the drinking water mains, when an appropriate backflow preventer has been installed, Type BA according to EN 60335-2-79.
- The backflow preventer can be ordered under number 106411177.
- As soon as drinking water has flown through the backflow preventer, it is no longer regarded as drinking water.
- Operation by suction (e.g. a rainwater vessel) is carried out without a backflow preventer – see “**Connecting to a pressureless water supply**”. The machine can be connected to water mains with a max. inlet-pressure of 1 MPa/10 bars and max. 60°C.

EN

DA

NO

SV

FI

DE

FR

NL

IT

ES

PT

EL

TR

CS

HU

PL

EN

DA

NO

SV

FI

DE

FR

NL

IT

ES

PT

EL

TR

CS

HU

PL

## Safety devices

### Locking device on spray handle:

- The spray handle features a locking device. When the pawl is activated, the spray handle cannot be operated.

### Thermal sensor:

- A thermal sensor protects the motor against overloading. The machine will restart after a few minutes when the thermal sensor has cooled.

### Pressure safety device:

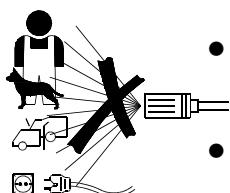
- An integrated hydraulic safety valve protects the system from excessive pressure.

## During work



### WARNING!

- It is not allowed to clean asbestos-containing surfaces with high pressure.
- Risk of explosion – Do not spray flammable liquids.
- Never draw in fluids containing solvents (e.g., gasoline, heating oil, paint thinner or acetone) These substances damage the materials used in the machine. Their spray is highly combustible, explosive and poisonous.
- Never direct the water jet at yourself, other persons, not even to clean clothing or footwear - **risk of injury**.
- Never direct the water jet at pets or other animals.
- Never direct the water jet at live electrical equipment or the machine itself - **danger of short-circuiting**.
- Hold the spray lance firmly with both hands. The spray lance is affected by a thrust of up to 27.4 N and a sudden torque when activating the trigger of the spray handle during operation.
- Never start up a frozen machine. Frost damages are not covered by the guarantee!
- Always ensure firm and safe footing.
- The machine shall be operated in an upright position.
- If the machine is left or not used for 5 minutes, it must be switched off on the start/stop switch "O" (1).





## After finishing the work



### WARNING!

- Always switch off the machine and unplug the power plug from the socket after work and when leaving the machine unattended.
- Disconnect water inlet hose between machine and water supply.
- Always empty pump, hose and accessories of water after use of the machine and prior to storing.

## Maintenance and repairs



### WARNING!

- Always disconnect the electrical plug from the socket prior to maintenance, cleaning and repair.
- Any repair should always be made in Nilfisk authorized workshop with original Nilfisk spare parts.
- Do not attempt any maintenance not described in the instructions.
- If the machine refuses to start, stops, pulsates, pressure fluctuates, motor busses, fuse blows or no water comes out, check the trouble shooting diagram in these instructions. In case other problems occur, please contact your local Nilfisk distributor.



### Recycling the high pressure washer

Make the old machine unusable immediately.

- Unplug the machine.
- Cut the electric cable.

Do not discard electrical appliances with household waste. As specified in WEEE Directive 2012/19/EC on old electrical and electronic appliances, used electrical goods must be collected separately and recycled ecologically. Contact your local authorities or your nearest dealer for further information.

EN

DA

NO

SV

FI

DE

FR

NL

IT

ES

PT

EL

TR

CS

HU

PL

## 3 Description

### 3.1 Application

This high-pressure washer has been developed for semiprofessional routine cleaning:

- *Professional craftsman jobs, cleaning of vehicles, boat, caravan and minor cleaning jobs within building and construction*

Section 6 describes the use of the high-pressure washer for various cleaning jobs.

Only use the high-pressure washer for purposes described in this manual.

The safety precautions must be observed to prevent damage to the machine, the surface to be cleaned or severe personal injuries.

### 3.2 Operation elements and model survey



See illustration at the end of this manual.

- 1 Start/stop switch
- 2 Water inlet (with filter)
- 3 High pressure connection (only machines without hose reel)
- 4 High pressure hose
- 5 Electric cable
- 6 Button for regulation of pressure and water volume
- 7 Ergo 2000 spray handle with lock (7a)
- 8 Flexopower Plus spray lance (standard models)
- 9 4-in-1 spray lance (T and XT models)

- 10 Detachable detergent container
- 11 Nozzle cleaning tool
- 12 Dosing of detergents
- 13 Hose reel
- 14 Hose hook (only machines without hose reel)
- 15 Model tag
- 16 Button for telescopic handle
- 17 Telescopic handle
- 18 Turnable cable hook

**Specifications:** See model tag (15) of machine.

We reserve the right to alter the specifications.

# 4 Before you start using your pressure washer

EN

DA

NO

SV

FI

DE

FR

NL

IT

ES

PT

EL

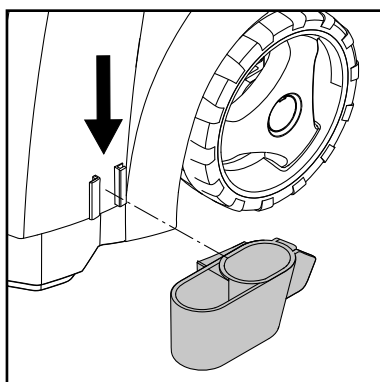
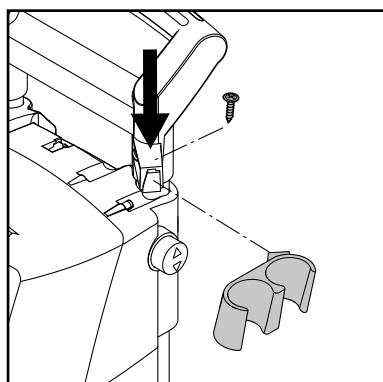
TR

CS

HU

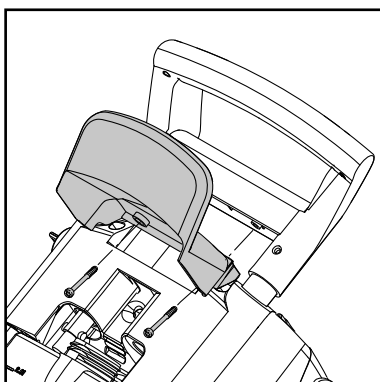
PL

## 4.1 Mounting of holders for spray lance



Mount the holders for spray lance on the machine.

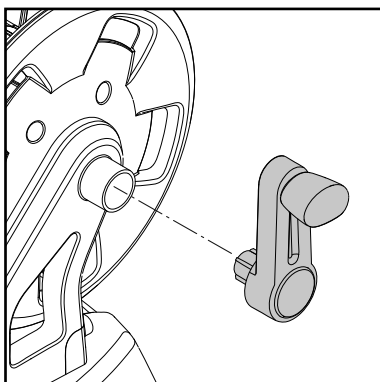
## 4.2 Mounting of hose hook (only models without hose reel)



Mount the hose hook (14) on the handle (2 screws).

**Note:** the hose hook can be mounted on the front as well as on the back. Front position is to be used if the product is used together with a special wall hook for wall storage.

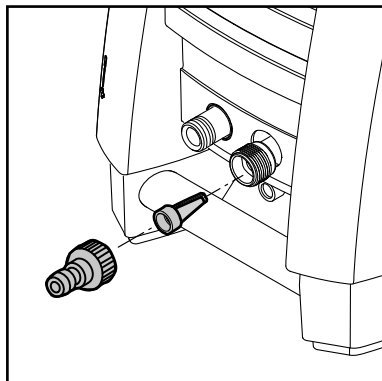
## 4.3 Mounting of hose reel handle (only models with hose reel)



1. Click the hose reel handle on to the trolley handle (no screws).

EN

#### 4.4 Mounting of quick coupling



1. Screw the quick coupling tight on to the water inlet (2).  
**Note:** The inlet filter must always be fitted in the water inlet pipe to filter out major impurities as these will damage the pump valves.



**Caution:** Failure to fit the filter will invalidate the guarantee.

DA

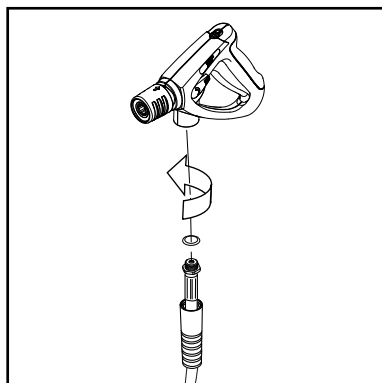
NO

SV

FI

DE

#### 4.5 Mounting of high pressure hose



Attach the high pressure hose (4) to the spray handle (7).

FR

NL

IT

ES

PT

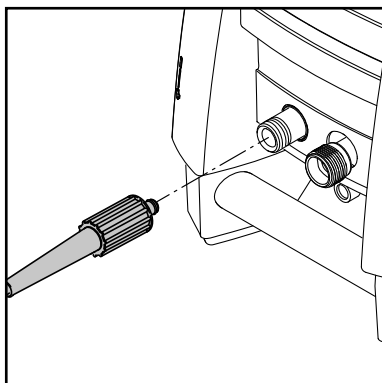
EL

## 5 Operating your pressure washer

TR

CS

#### 5.1 Connection of high pressure hose



*Machines without hose reel:* Attach the high pressure hose (4) to the high pressure connection of the machine (3).

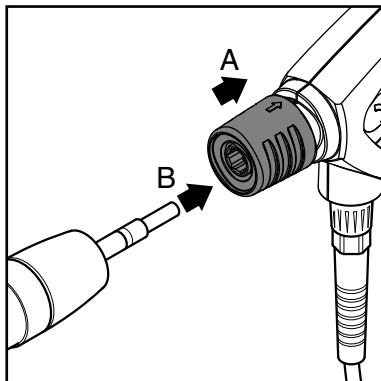
Only max. 7 m additional extension hose can be added.

*Machines with hose reel:* Unwind the high pressure hose completely.

HU

PL

## 5.2 Mounting of spray lance



1. Pull the blue quick-release grip (A) of the spray gun backwards.
2. Insert the nipple of the spray lance (B) into the quick-release connection and release it.
3. Pull the spray lance (or other accessory) forwards to check that it is securely attached to the spray gun.

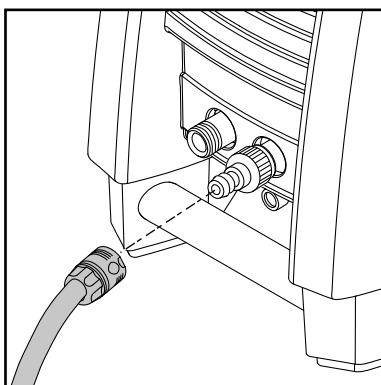


### NOTE!

Always remove any dirt from the nipple before connecting the spray lance to the spray handle.

## 5.3 Water connection

An ordinary 1/2" garden hose of **min. 10 m** and **max. 25 m** will be suitable.



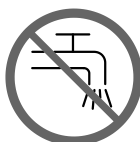
**IMPORTANT! Only use water without any impurities.** If there is a risk of silt, sand or sediment in the inlet water (i.e. from your own well), an additional filter should be mounted.

1. Let the water run through the water hose before connecting it to the machine to prevent sand and dirt from penetrating the machine.



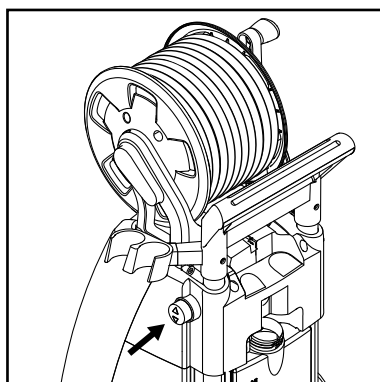
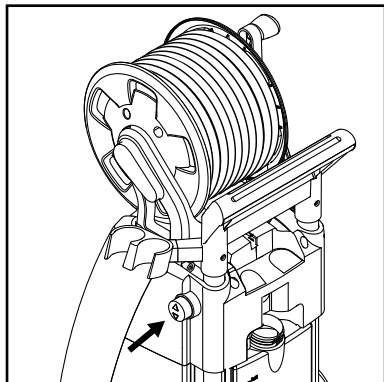
**Note:** Check that the filter is fitted in the water inlet pipe and that it is clean and free from debris.

2. Connect the water hose to the water supply by means of the quick connector (inlet water, max. pressure: 10 bar, max. temperature: 60°C).
3. Turn on the water.



**NOTE:** Connection to the public mains according to regulations.

## 5.4 Telescopic handle



The machine features a telescopic handle. To raise or lower the handle, press the button (16) and move the handle upwards or downwards. When a click is heard, the handle is in right position.

EN

DA

NO

SV

FI

DE

FR

NL

IT

ES

PT

EL

TR

CS

HU

PL

EN

### 5.5 Start and stop of the machine (when connected to a water supply)



The spray lance is affected by a thrust during operation - therefore always hold it firmly with both hands. **IMPORTANT: Point the nozzle at the ground.**

1. Check that the machine is in upright position.  
**NOTE:** Do not place the machine in tall grass!
2. Release the trigger lock.
3. Activate the trigger of the spray handle and let the water run until all air has escaped from the high pressure hose.
4. Turn the start/stop switch (1) to position "I".
5. Activate the trigger of the spray handle.

Always adjust the distance and thus the pressure of the nozzle

to the surface, which is to be cleaned.



Do not cover the machine during operation.

**Note:** If the machine is left or not used for 5 minutes, it must be switched off on the start/stop switch "O" (1):

1. Turn the start/stop switch to position "O".
2. Disconnect the electrical plug from the socket.
3. Shut off the water supply and activate the trigger to relieve the machine of pressure.
4. Lock the spray handle.

When releasing the trigger of the spray handle, the machine automatically stops. The machine will start again when you re-activate the spray handle.

DA

NO

SV

FI

DE

FR

NL

IT

ES

### 5.6 Start the machine (when connected to open containers (suction mode))

The washer can take in water from a rain water tank as an example. The hose for the water supply must not be too long, approx. 5 m.

Make sure that the water tank is not placed on a lower level than the machine.

Use an external filter if the water contains impurities.

1. Make sure that the water hose is filled completely with water before connecting to the machine. Place the entire

hose in a tank or bucket. To avoid water spillage, crimp the water inlet hose down in the water and then connect the hose to the machine with the quick coupling and finally uncrimp the water inlet hose.

2. Dismount spray handle, lance and nozzle.
3. Turn the start/stop switch to position "I" and let the water run, until the air has escaped from the water hose and the pump.
4. Mount spray handle and thereafter lance.

PT

EL

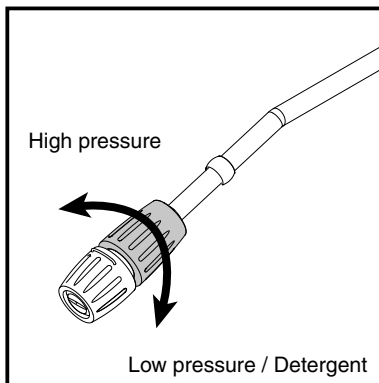
TR

CS

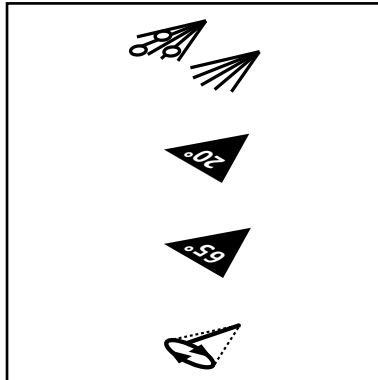
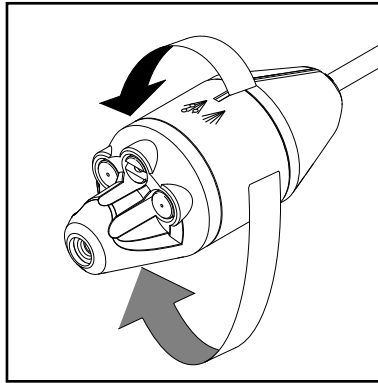
HU

PL

### 5.7 Pressure regulation



**Flexopower Plus spray lance**  
The pressure can be regulated on the Flexopower Plus spray lance.



**T and XT models:**

**4-in-1 spray lance**

The pressure can be regulated on the 2-in-1 spray lance.

Low Pressure / detergent

Tornado / high pressure

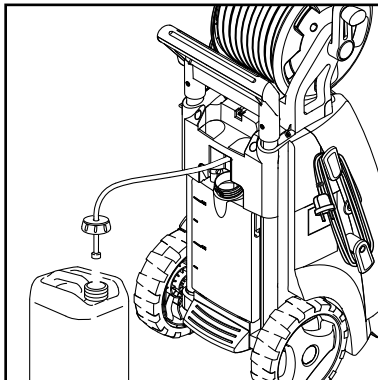
Wide angle / high pressure

Turbohammer / high pressure

**5.8 Operation with detergents**

Application of detergents is **NOT** possible if an extension hose is applied.

1. Fill the container with a detergent.
2. Mount the Flexopower Plus spray lance and adjust it to low pressure. Turn the 4-in-1 nozzle to pos Low Pressure/ Detergent (see section 5.7).
3. Adjust the dosing regulator (12) to the required volume of detergent (0-5%).



4. Apply the detergent from below and upwards.

5. Let the detergent act for the time stated on the packing of the detergent and flush with pure water or use a brush.

**External detergent container**

1. Remove the cover with suction hose from the detergent container.
2. Mount the cover with suction hose on the external detergent container.

The cover has a standard thread and fits common detergent containers. If your container does not have a standard thread, detach the filter from the suction hose and remove the cover. Remount the filter in the suction hose.

Extra detergent hose can be pulled out of the machine.

EN

DA

NO

SV

FI

DE

FR

NL

IT

ES

PT

EL

TR

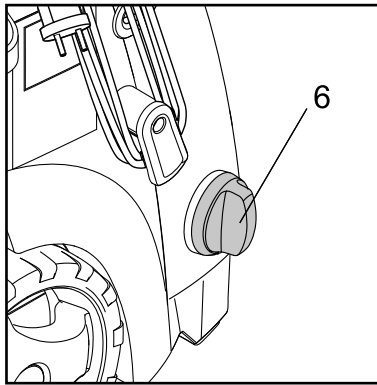
CS

HU

PL

EN

## 5.9 Regulation of pressure / water volume



Working pressure and water volume can be regulated on the machine by turning the button for regulation of pressure / water volume (6).

DA

NO

SV

FI

DE

FR

NL

IT

# 6 Fields of application and working methods

ES

PT

EL

TR

CS

HU

PL

## 6.1 General

Efficient high pressure cleaning is achieved by following a few guidelines, combined with your own personal experience of specific cleaning tasks. Accessories and detergents, when correctly chosen, can increase the efficiency of your pressure washer. Here is some basic information about cleaning.

### 6.1.1 Detergent and foam

Foam or detergent should be applied onto dry surfaces so that the chemical product is in direct contact with the dirt. Detergents are applied from bottom to top, for example on a car bodywork, in order to avoid "super clean" areas, where the detergent collects in higher concentration and streams downwards. Let the detergent work for several minutes before rinsing but never let it dry on the surface being cleaned. **Note:** It is important that the detergents do not dry up. Otherwise the surface that has to be cleaned can be damaged.

### 6.1.2 Mechanical effect

In order to break down tough layers of dirt, additional mechanical effect may be required. Special wash brushes offer this supplementary effect that removes stubborn dirt, traffic film or the like.



# 7 After using your pressure washer

EN

DA

NO

SV

FI

DE

FR

NL

IT

ES

PT

EL

TR

CS

HU

PL

## 7.1 Storing the washer



**The machine should be stored in a frost-free room!**

Pump, hose and accessories should always be emptied of water prior to storing as follows:

1. Stop the machine (turn the start/stop switch (1) to position "O" and detach water hose and accessory).
2. Restart the machine and activate the trigger. Let the machine run until no more water runs through the spray handle.
3. Stop the machine and unplug. Wind the electric cable round the hooks placed on the side of the machine.
4. Separate spray handle and spray lance.

5. *Machines without hose reel:* Detach high pressure hose, coil it up and place it on the hose storage.

*Machines with hose reel:* Coil the high pressure hose up on the hose reel.

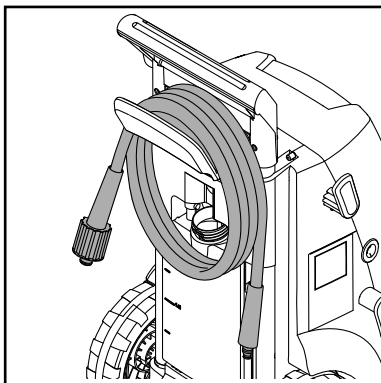
6. Place spray handle, nozzles and other accessories in the holders of the machine.

Should the machine by mistake be frozen, let it thaw and check it for damage.

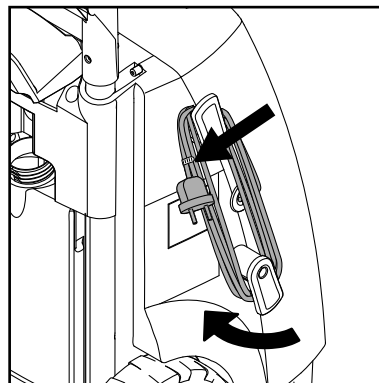
**NEVER START-UP A FROZEN MACHINE.**

**Frost damages are not covered by the guarantee!**

## 7.2 Winding up of electric cable and high pressure hose



To avoid accidents, the electric cable and the high pressure hose should always be wound

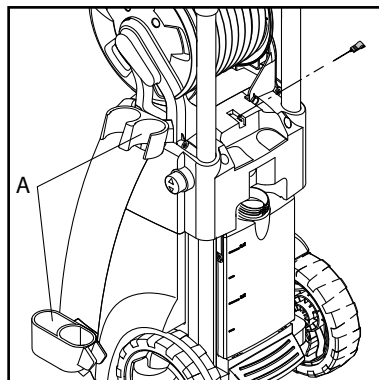


up carefully.

1. Wind up the electric cable on the dedicated hooks. Built-in clip for good holding. The lower hook can be turned to release the electric cable.

2. The high pressure washer comes in two models: A) with hook for storage of high pressure hose (14) - B) with a hose reel (13).

## 7.3 Storage of accessories



The standard accessories (spray handle, spray lance (A) and nozzle cleaning tool) can be stored on the pressure washer.



**WARNING!** Always disconnect the electrical plug from the socket prior to maintenance or cleaning.

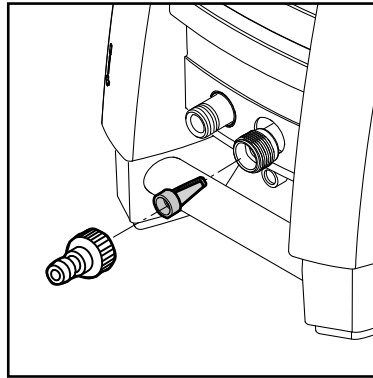
To ensure a long and problem free working life, please take the following advice:

- Wash off water hose, high pressure hose, spray lance and accessories before mounting.

- Clean the connectors of dust and sand.
- Clean the nozzles.

Any repair should always be made in an authorized workshop with original spare parts.

## 8.1 Cleaning of water inlet filter

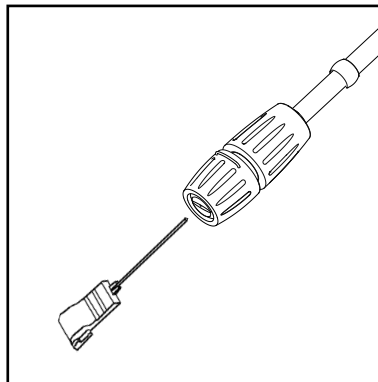


Clean the water inlet filter regularly once a month or more frequently according to use. Carefully loosen the filter with a pair of pliers and clean it. Check that it is intact before re-mounting it.

The inlet filter must always be fitted inside the water inlet pipe to filter out various impurities, as they will damage the pump valves.

**CAUTION:** Failure to fit the filter will invalidate the guarantee.

## 8.2 Cleaning of nozzle



A clogging up in the nozzle causes a pump pressure which is too high. This is why cleaning is required immediately.

1. Stop the machine and disconnect the nozzle.
2. Clean the nozzle. **IMPORTANT:** The cleaning tool (11) should only be used when the nozzle is detached!
3. Flush the nozzle backwards with water.

## 8.3 Cleaning of machine vents

The machine should be kept clean so as to let cooling air

pass freely through the machine vents.

## 8.4 Greasing of couplings

To ensure easy connection and that o-rings do not dry up, the

couplings should be greased regularly.

# 9 Trouble-shooting

EN

DA

NO

SV

FI

DE

FR

NL

IT

ES

PT

EL

TR

CS

HU

PL

Please ensure that you check the following before contacting the Nilfisk service organization:

Symptom	Cause	Recommended action
<b>Machine refuses to start</b>	Machine not plugged in Defective socket Fuse has blown Defective extension cable	Plug in machine. Try another socket. Replace fuse. Switch off other machines. Try without the extension cable.
<b>Fluctuating pressure</b>	Pump sucking air  Valves dirty, worn out or stuck Pump seals worn out	Check that hoses and connections are air-tight. Clean and replace or refer to local Nilfisk-distributor Clean and replace or refer to local Nilfisk-distributor.
<b>Motor busses</b>	Low voltage or low temperature	Activate the trigger of the spray handle.
<b>Machine stops</b>	Fuse has blown Incorrect mains voltage  Thermal sensor activated  Nozzle partially blocked	Replace fuse. Switch off other machines. Check that the mains voltage corresponds to specification on the model tag. Leave the washer for 5 minutes to cool down. Clean the nozzle (see section 7.2)
<b>Fuse blows</b>	Fuse too small	Change to an installation higher than the amp. consumption of the machine. You may try without the extension cable.
<b>Machine pulsating</b>	Air in inlet hose/pump  Inadequate supply of mains water  Nozzle partially blocked Water filter blocked Hose kinked	Allow machine to run with open trigger until regular working pressure resumes. Check that the water supply corresponds to specifications required (see model tag) NB! Avoid using long, thin hoses (min. 1/2") Clean the nozzle (see section 7.2) Clean the filter (see section 7.1) Straighten out hose.
<b>Machine often starts and stops by itself</b>	Spray handle is leaking	Contact your nearest Nilfisk Service Centre. Replace seat/ball/O-ring in the valve of the spray handle.
<b>Machine starts, but no water comes out</b>	Pump/hoses or accessory frozen No water supply Water filter blocked Nozzle blocked	Wait for pump/hoses or accessory to thaw. Connect inlet water. Clean the filter (see section 7.1) Clean the nozzle (see section 7.2)
<b>Pump pressure drops</b>	Button for regulation of pressure / water volume not correctly adjusted	Adjust the button to correct working pressure.

In case problems other than the above occur, please contact your local Nilfisk distributor.

EN

# 10 Further information

DA

NO

## 10.1 Warranty conditions

Our general conditions of business are applicable with regard to the guarantee.

Subject to change as a result of technical advances.

SV

FI

# 11 Main Technical Data

DE

FR

NL

IT

ES

PT

EL

TR

CS

HU

PL

Type		MC 2C-60/380	MC 2C-120/520 T	MC 2C-120/520 XT	MC 2C-140/610 XT	MC 2C-140/610 P	MC 2C-150/650	MC 2C-150/650 (KR)	MC 2C-150/650 XT
Rated pressure	bar/MPa	69/6.9	120/12	120/12	140/14	140/14	150/16	150/15	150/15
Cleaning impact	kg/force	2	2.2	2.2	2.5	2.5	2.9	2.9	2.9
Water flow	Qmax/ QIEC l/min	-/2.4 gallon	8.6/7.8	8.6/7.8	10.2/9.0	10.2/9.0	10.2/9.5	10.2/9.5	10.2/9.5
Voltage/phase/frequency/current	V/-/Hz/A	115/1/ 60/15	230/1/ 50/10	230/1/ 50/10	230/1/ 50/12.6	230/1/ 50/12.6	230/1/ 50/14.5	230/1/ 60/14.5	230/1/ 50/14.5
Max. water temp.	°C	60	60	60	60	60	60	60	60
Cable	m	5	5	5	5	5	5	5	5
Pump	Rev./min	3400	2800	2800	2800	2800	2800	3400	2800
Nozzle size	1/8"	0.475	0.350	0.350	0.370	0.370	0.370	0.370	0.370
Sound pressure level	dB(A)	77.4	76.1	76.1	77.4	77.4	73.5	79.7	79.7
Guaranteed sound power level	dB(A)	92	91	91	92	92	88	94	94
Vibration according to ISO 5349-1	m/s <sup>2</sup>	< 2.5	< 2.5	< 2.5	< 2.5	< 2.5	< 2.5	< 2.5	< 2.5
Weight	kg	28.1	27.1	27.1	28.1	28.1	28.1	26.3	28.1

# 12 EU Declaration of Conformity



We,

Nilfisk A/S  
Kornmarksvej 1  
DK-2605 Broendby  
DENMARK



Hereby solely declare, that the product:

Product	Description	Type
HPW - Consumer	115 / 230 V 1~, 50 / 60 Hz, IPX5	MC 2C-60/380, MC 2C-120/520 T, MC 2C-120/520 XT, MC 2C-140/610 XT, MC 2C-140/610 P, MC 2-C-150/650, MC 2C-150/650 XT



Is in compliance with the following standards:

Id and Version	Title
EN 60335-1:2012+A11:2014	Household and similar electrical appliances - Safety - Part 1: General requirements
EN 60335-2-79:2012	Household and similar electrical appliances - Safety - Part 2-79: Particular requirements for high pressure cleaners and steam cleaners
EN 55014-1:2006+A1:2009 +A2:2011	EMC - Requirements for household appliances, electric tools and similar apparatus - Part 1: Emission
EN 55014-2:1997+A1:2001 +A2:2008	EMC - Requirements for household appliances, electric tools and similar apparatus - Part 2: Immunity - Product family standard
EN 61000-3-11:2000	Electromagnetic compatibility (EMC) - Part 3-11: Limits - Limitation of voltage changes, voltage fluctuations and flicker in public low-voltage supply systems, for equipment with rated current ≤ 75 A per phase and not subject to conditional connection
EN 50581:2012	Technical documentation for the assessment of electrical and electronic products with respect to restriction of hazardous substances



Following the provisions of:

Machinery Directive 2006/42/EC  
EMC Directive 2004/108/EC → April 20, 2016 → 2014/30/EC  
RoHS Directive 2011/65/EC  
Noise Emission Directive 2000/14/EC – Conformity assessment procedure according to Annex V



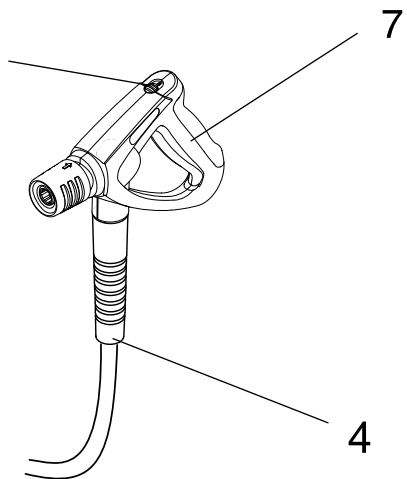
Compliance to harmonic current emissions is documented in the TCF

Measured noise level: 73-80 dB(A); Guaranteed noise level: 88-94 dB(A)

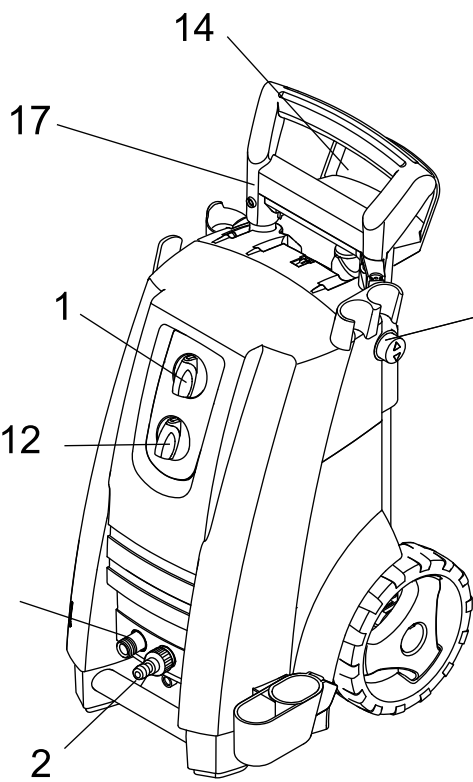
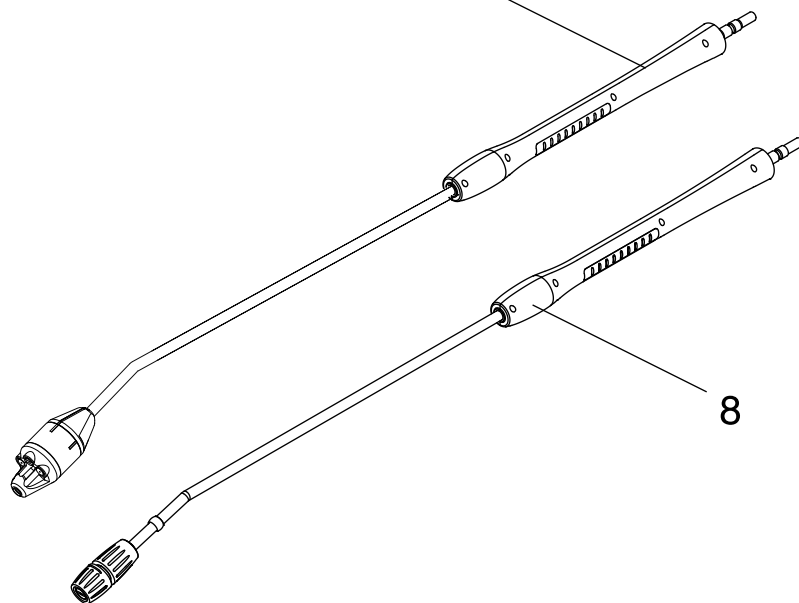
Hadsund 2015-12-01 Anton Sørensen  
Senior Vice President – Global Operations  
R&D – Vacuum Cleaners and High Pressure Washers

Place	Date	Name, Title	Signature

7a



9



13

11

16

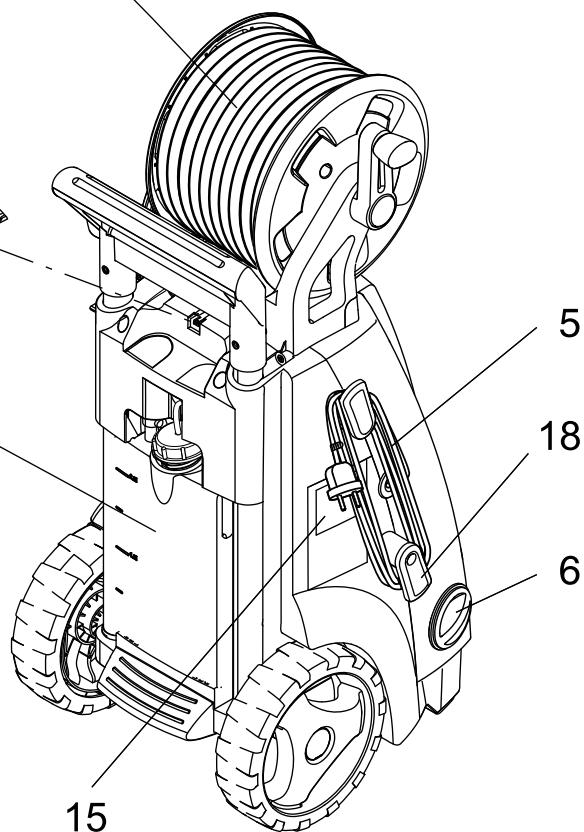
10

15

5

18

6





## HEAD QUARTER

### DENMARK

Nilfisk A/S  
Kornmarksvej 1  
DK-2605 Broendby  
Tel.: (+45) 4323 8100  
www.nilfisk.com

## SALES COMPANIES

### ARGENTINA

Nilfisk srl.  
Edificio Central Park  
Herrera 1855, 6th floor/604  
Ciudad de Buenos Aires  
Tel.: (+54) 11 6091 1571  
www.nilfisk.com.ar

### AUSTRALIA

Nilfisk Pty Ltd  
Unit 1/13 Bessemer Street  
Blacktown NSW 2148  
Tel.: (+61) 2 98348100  
www.nilfisk.com.au

### AUSTRIA

Nilfisk GmbH  
Metzgerstrasse 68  
5101 Bergheim bei Salzburg  
Tel.: (+43) 662 456 400 90  
www.nilfisk.at

### BELGIUM

Nilfisk n.v.-s.a.  
Riverside Business Park  
Boulevard Internationalelaan 55  
Bâtiment C3/C4 Gebouw  
Bruxelles 1070  
Tel.: (+32) 14 67 60 50  
www.nilfisk.be

### BRAZIL

Nilfisk do Brasil  
Av. Eng. Luis Carlos Berrini, 550  
40 Andar, Sala 03  
SP - 04571-000 Sao Paulo  
Tel.: (+11) 3959-0300 / 3945-4744  
www.nilfisk.com.br

### CANADA

Nilfisk Canada Company  
240 Superior Boulevard  
Mississauga, Ontario L5T 2L2  
Tel.: (+1) 800-668-8400  
www.nilfisk.ca

### CHILE

Nilfisk S.A. (Comercial KCS Ltda)  
Salar de Llamara 822  
8320000 Santiago  
Tel.: (+56) 2684 5000  
www.nilfisk.cl

### CHINA

Nilfisk  
4189 Yindu Road  
Xinzhuang Industrial Park  
201108 Shanghai  
Tel.: (+86) 21 3323 2000  
www.nilfisk.cn

### CZECH REPUBLIC

Nilfisk s.r.o.  
VGP Park Horní Počernice  
Do Čertous 1/2658  
193 00 Praha 9  
Tel.: (+420) 244 090 912  
www.nilfisk.cz

### DENMARK

Nilfisk Danmark A/S  
Industrivej 1  
Hadsund, DK-9560  
Tel.: 72 18 21 20  
www.nilfisk.dk

### FINLAND

Nilfisk Oy Ab  
Koskelontie 23 E  
02920 Espoo  
Tel.: (+358) 207 890 600  
www.nilfisk.fi

### FRANCE

Nilfisk SAS  
26 Avenue de la Baltique  
Villebon sur Yvette  
91978 Courtabouef Cedex  
Tel.: (+33) 169 59 87 00  
www.nilfisk.fr

### GERMANY

Nilfisk GmbH  
Guido-Oberdorfer-Straße 2-10  
89287 Bellenberg  
Tel.: (+49) (0)7306/72-444  
www.nilfisk.de

### GREECE

Nilfisk A.E.  
Αναπαύσεως 29  
Κορωπί T.K. 194 00  
Tel.: (30) 210 9119 600  
www.nilfisk.gr

### HOLLAND

Nilfisk B.V.  
Versterkerstraat 5  
1322 AN Almere  
Tel.: (+31) 036 5460760  
www.nilfisk.nl

### HONG KONG

Nilfisk Ltd.  
2001 HK Worsted Mills  
Industrial Building  
31-39, Wo Tong Tsui St.  
Kwai Chung, N.T.  
Tel.: (+852) 2427 5951  
www.nilfisk.com

### HUNGARY

Nilfisk Kft.  
II. Rákóczi Ferenc út 10  
2310 Szigetszentmiklós-Lakihegy  
Tel.: (+36) 24 475 550  
www.nilfisk.hu

### INDIA

Nilfisk India Limited  
Pramukh Plaza, 'B' Wing, 4th floor, Unit  
No. 403  
Cardinal Gracious Road, Chakala  
Andheri (East) Mumbai 400 099  
Tel.: (+91) 22 6118 8188  
www.nilfisk.in

### IRELAND

Nilfisk  
1 Stokes Place  
St. Stephen's Green  
Dublin 2  
Tel.: (+35) 3 12 94 38 38  
www.nilfisk.ie

### ITALY

Nilfisk SpA  
Strada Comunale della Braglia, 18  
26862 Guardamiglio (LO)  
Tel.: (+39) (0) 377 414021  
www.nilfisk.it

### JAPAN

Nilfisk Inc.  
1-6-6 Kita-shinyokohama, Kouhoku-ku  
Yokohama, 223-0059  
Tel.: (+81) 45548 2571  
www.nilfisk.com

### MALAYSIA

Nilfisk Sdn Bhd  
Sd 33, Jalan KIP 10  
Taman Perindustrian KIP  
Sri Damansara  
52200 Kuala Lumpur  
Tel.: (60) 3603 627 43 120  
www.nilfisk.com

### MEXICO

Nilfisk de Mexico, S. de R.L. de C.V.  
Pirineos #515 Int.  
60-70 Microparque  
Industrial WSantiago  
76120 Queretaro  
Tel.: (+52) (442) 427 77 00  
www.nilfisk.com

### NEW ZEALAND

Nilfisk Limited  
Danish House  
6 Rockridge Avenue  
Penrose, Auckland 1061  
Tel.: (+64) 9526 3890  
www.nilfisk.com.au

### NORWAY

Nilfisk AS  
Bjørnerudveien 24  
1266 Oslo  
Tel.: (+47) 22 75 17 80  
www.nilfisk.no

### PERU

Nilfisk S.A.C.  
Calle Boulevard 162, Of. 703, Lima 33-  
Perú  
Lima  
Tel.: (511) 435-6840  
www.nilfisk.com

### POLAND

Nilfisk Sp. Z.O.O.  
Millenium Logistic Park  
ul. 3 Maja 8, Bud. B4  
05-800 Pruszków  
Tel.: (+48) 22 738 3750  
www.nilfisk.pl

### PORTUGAL

Nilfisk Lda.  
Sintra Business Park  
Zona Industrial Da Abrunheira  
Edificio 1, 1° A  
P2710-089 Sintra  
Tel.: (+351) 21 911 2670  
www.nilfisk.pt

### RUSSIA

Nilfisk LLC  
Vyatskaya str. 27, bld. 7/1st  
127015 Moscow  
Tel.: (+7) 495 783 9602  
www.nilfisk.ru

### SINGAPORE

Den-Sin  
22 Tuas Avenue 2  
639453 Singapore  
Tel.: (+65) 6268 1006  
www.densin.com

### SLOVAKIA

Nilfisk s.r.o.  
Bancikovej 1/A  
SK-821 03 Bratislava  
Tel.: (+421) 910 222 928  
www.nilfisk.sk

### SOUTH AFRICA

WAP South Africa  
12 Newton Street  
Spartan 1630  
Tel.: (+27) 11 975 7060  
www.wap.com.za

### SOUTH KOREA

Nilfisk Korea  
3F Duksoo B/D, 317-15  
Sungsoo-Dong 2Ga  
Sungdong-Gu, Seoul  
Tel.: (+82) 2497 8636  
www.nilfisk.co.kr

### SPAIN

Nilfisk S.A.  
Torre d'Ara,  
Passeig del Rengle, 5 Plta. 10ª  
08302 Mataró  
Tel.: (34) 93 741 2400  
www.nilfisk.es

### SWEDEN

Nilfisk AB  
Taljegårdsgatan 4  
431 53 Möndal  
Tel.: (+46) 31 706 73 00  
www.nilfisk.se

### SWITZERLAND

Nilfisk AG  
Ringstrasse 19  
Kircheberg/Industri Stelz  
9500 Wil  
Tel.: (+41) 71 92 38 444  
www.nilfisk.ch

### TAIWAN

Nilfisk Ltd  
Taiwan Branch (H.K)  
No. 5, Wan Fang Road  
Taipei  
Tel.: (+88) 6227 00 22 68  
www.nilfisk.tw

### THAILAND

Nilfisk Co. Ltd.  
89 Soi Chokechai-Ruammitr  
Viphavadee-Rangsit Road  
Ladyao, Jatuchak, Bangkok 10900  
Tel.: (+66) 2275 5630  
www.nilfisk.co.th

### TURKEY

Nilfisk A.S.  
Serifali Mh. Bayraktar Bulv. Sehit Sk. No:7  
Ümraniye, 34775 Istanbul  
Tel.: +90 216 466 94 94  
www.nilfisk.com.tr

### UNITED ARAB EMIRATES

Nilfisk Middle East Branch  
SAIF-Zone  
P.O. Box 122298  
Sharjah  
Tel.: (+971) (0) 655-78813  
www.nilfisk.com

### UNITED KINGDOM

Nilfisk Ltd.  
Nilfisk House, Bowerbank Way  
Gilwilly Industrial Estate, Penrith  
Cumbria CA11 9BQ  
Tel.: (+44) (0) 1768 868995  
www.nilfisk.co.uk

### UNITED STATES

Nilfisk, Inc.  
9435 Winnetka Ave N,  
Brooklyn Park  
Minnesota MN- 55442  
www.nilfisk.com

### VIETNAM

Nilfisk Vietnam  
No. 51 Doc Ngu Str.  
P. Vinh Phúc, Q.Ba Dinh  
Hanoi  
Tel.: (+84) 761 5642  
www.nilfisk.com